



## Product overview



# GC-MC20 Metal Connector

## Features:

- ✓ Bellows can be assembled technology: All-round protection for wires, eliminating the heat shrinking process of heat shrinkable tubes, and high wire making efficiency;
- ✓ With secondary locking function, the locking is reliable;
- ✓ Easy and reliable plugging and unplugging: the plug has TPA function, which can effectively prevent needle withdrawal;
- ✓ Anti-error function: add blind insertion function, the insulator cannot be contacted when the plug and socket holes are not aligned, and the operation is convenient;
- ✓ The use of chip terminals is more suitable for mass production;

**Application:** All-in-one controller, motor controller, PDU, steering motor, air compressor, electric defrosting, electric heating and other small current electrical transmission;

## The main technical parameters:

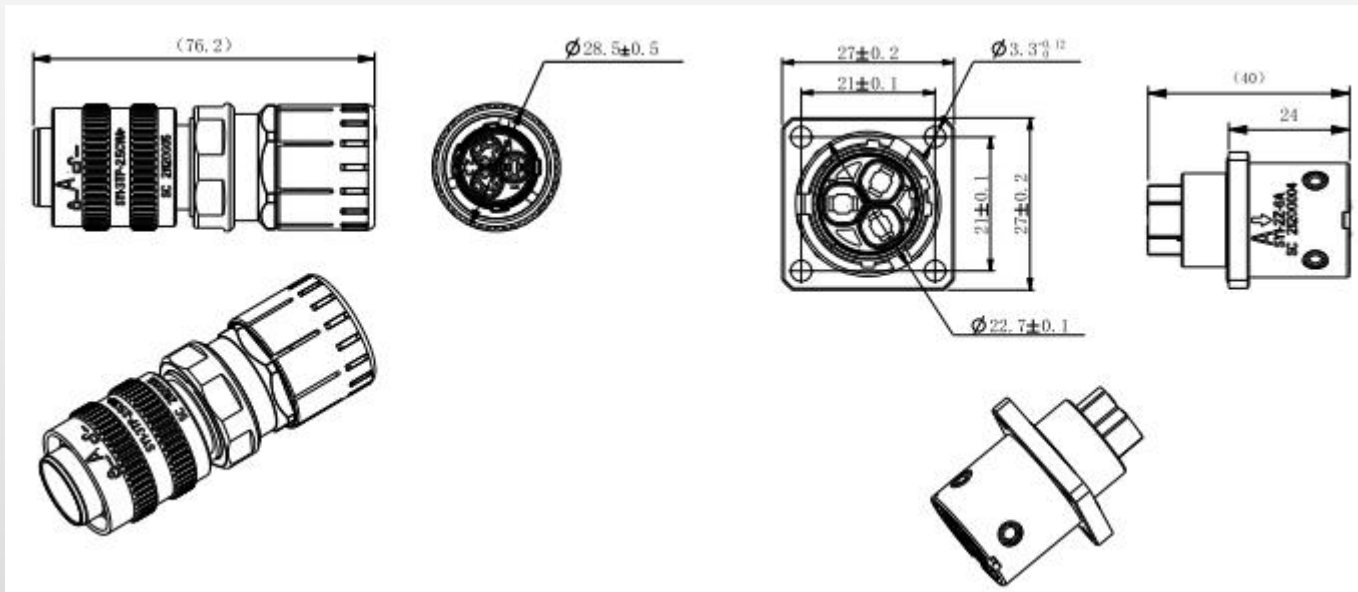
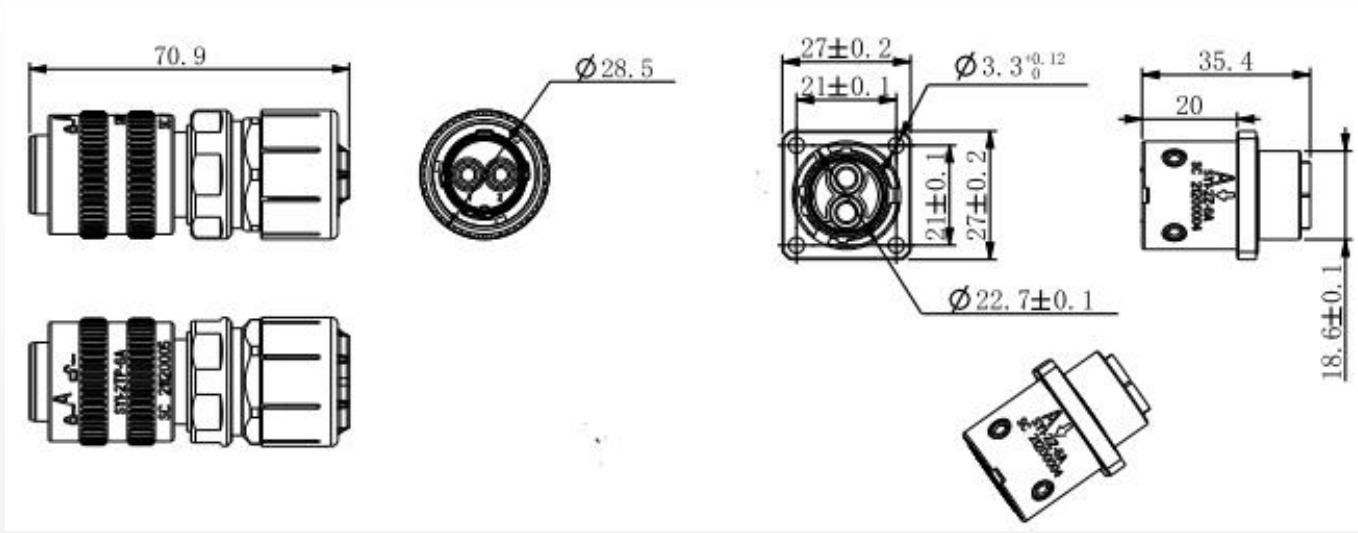
- Product specifications: 2 cores, 3 cores
- Applicable wire cross section: plug 2\*2.5mm<sup>2</sup>, 3\*2.5mm<sup>2</sup>
- Socket 2.5mm<sup>2</sup>
- Voltage rating: 4000V AC
- Rated current: 20A (2-core 2.5mm<sup>2</sup> / 3-core 2.5mm<sup>2</sup>); 30A (4mm<sup>2</sup>); 40A (6mm<sup>2</sup>)
- Temperature resistance grade: -40-125°C
- Insulation resistance: 5000MΩ
- Mechanical life: 100 times
- Protection level: IP68, IP6K9K



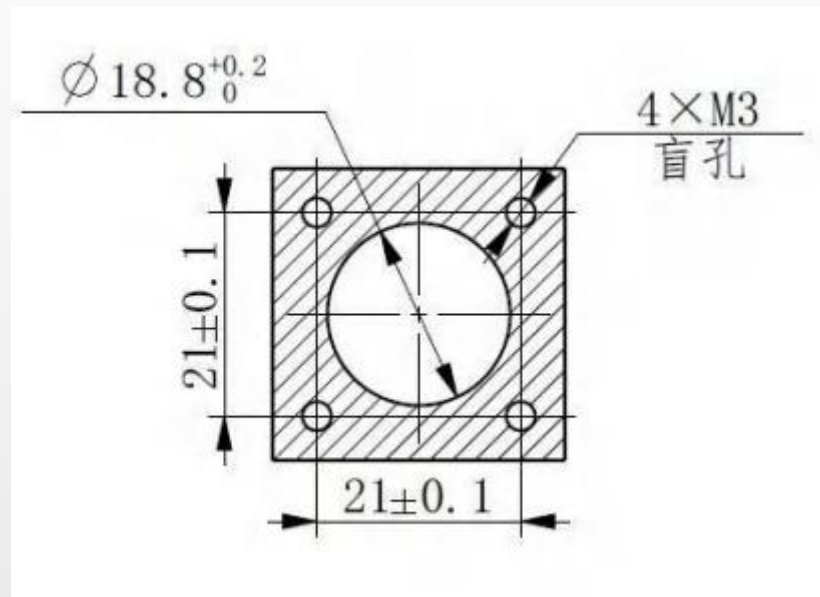
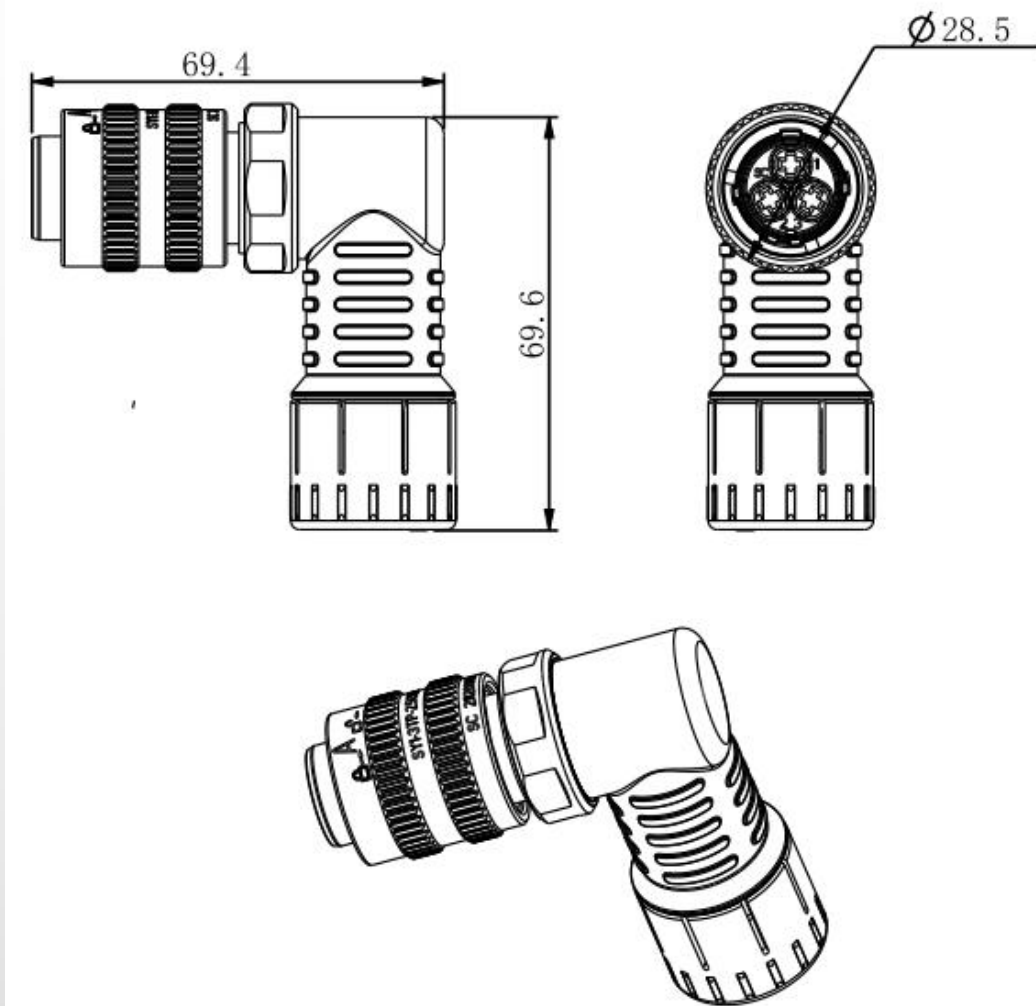
# MODEL NUMBER DESIGNATION

Series name	MC20 Series	MC20	-	3T	P	H	-	2.5	C	W	F	A	-01
Model	MC20												
Separator	-												
Connector Type	2-core Plug (2 core, 3-core, T-plug, Z-socket)												
With shield or not	Default-None; P-Shield												
With interlock or not	Default-None; H-With interlock												
Separator	-												
Adaptable Cable	2.5/4/6mm <sup>2</sup>												
Plug cable type	Default-Single core wire; C-Cabled												
Cores number of housing	Default-straight type; W-Bending type												
Socket type	Default-Plug/square socket; U-Fly head socket												
Key positions	A/B/C/D/E												
Remodel code	Default, -1, -2												

# ➔ MOUNTING PANEL SIZE



# ➡ MOUNTING PANEL SIZE



## INSTALLATION

### GC-MC20 Metal Connector



- At present, this product has passed the experimental verification, and it is installed in Yutong E12\E10\E8 pure electric buses in batches